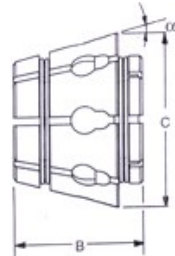


Multi Bore Collets



MultiBore Collets



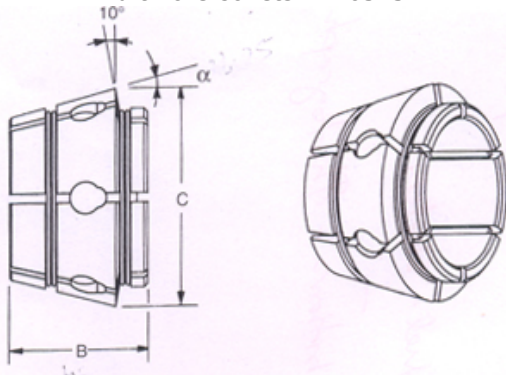
Plain Bore



Heavy Duty Bore

Crawford Standard MultiBore Collets							
Range	Dimensions			Capacity			
1/8" Gripping Range	B	ØC	α	R	H	Sq	Cat.No
1/8" to 1 1/8"	42.2	50.6	14°	28.5	25.4	19.0	T-980
30 & 32mm sizes only	42.2	50.6	14°	32.0	-	-	J-961
1/16" to 15/8"	51.8	70.1	15°	41.2	38.1	31.8	W-850
39 to 42mm	51.8	70.1	15°	42.0	-	-	W-850
15/8" to 13/4"	49.0	70.1	15°	42.0	-	-	N-631
1/16" to 2 1/8"	62.7	88.0	15°	53.9	50.8	41.3	V-120
1/8" to 2 5/8"	73.2	99.3	15°	66.6	57.1	44.4	T-285
1/2" to 3 1/8"	80.0	120.0	15°	78.0	69.0	54.0	N-175
3mm Gripping Range							
77 to 80 mm	80.0	120.0	15°	80.0	69.0	54.0	G-770
30 to 90mm*	100.0	148.0	15°	90.0	78.0	63.0	H-127

MultiBore Collets DIN6343



Range	Dimensions			Capacity			
1mm Gripping Range	B	ØC	α	R	H	Sq	Cat.No
3 to 16mm	25.0	30.5	14.75°	16.0	14.0	11.0	M-663
2mm Gripping Range							
4 to 20mm	29.0	39.5	14.75°	20.0	18.0	14.0	M-665
4 to 26mm	34.0	46.5	14.75°	26.0	22.0	18.0	M-667
4 to 30mm	34.0	49.5	14.75°	30.0	26.0	21.0	M-669
4 to 34mm	38.0	56.5	14.75°	34.0	29.0	24.0	M-671
4 to 42mm	39.0	61.5	14.75°	42.0	36.0	30.0	M-673
4 to 46mm	40.0	69.5	14.75°	46.0	40.0	32.0	M-675
4 to 60mm	45.0	85.5	14.75°	60.0	52.0	42.0	M-677
4 to 68mm	56.0	96.0	15.0°	68.0	58.0	47.0	J-56
4 to 80mm	48.0	108.5	14.75°	80.0	69.0	56.0	J-660